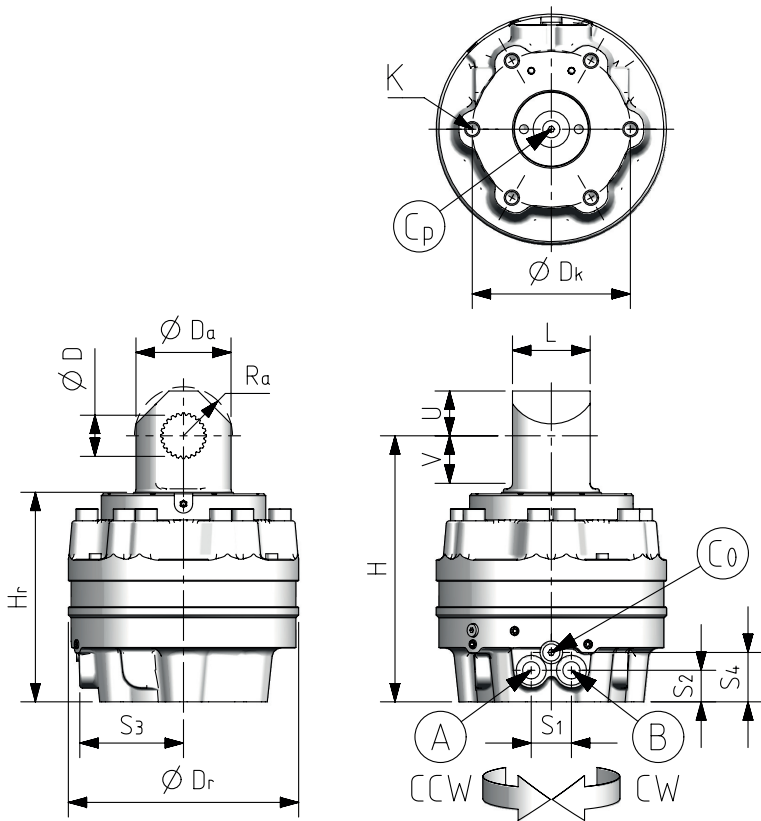


DIMENSIONS



Connections	P_{max}
A G1/2" rotate CCW	29* MPa
B G1/2" rotate CW	29* MPa
Co G1/4" case drain	
Cp G1/4" case drain (alt.)	

* without case drain P_{max} 25 MPa

Main dimensions

H	291	R	
Dr	252	Hr	228 rotating part

S1	44	S2	34,5	S3	112
S4	54				

Tool interface dimensions

Dk	173
K	M16 depth 62 (6 x 60°) with Ø17 depth 30 clearance

Link interface dimensions

D	A50x45 DIN5482, through				
L	85 0/-0,15	Da	104		
U	49	Ra	54	V	52

TECHNICAL DETAILS

Performance

Axial load capacity	static	F_{sta}	160 kN
	dynamic	F_{dyn}	80 kN
	compressive	F_{com}	65 kN
Torque per 1 MPa		T	120 Nm
	max. torque [29 MPa]	T_{max}	3480 Nm
Max. rotation speed		n_{max}	30 rpm
Total weight		m	66 kg

Link swing damping

none

Paint black primary coat

Hydraulics

Recommended oilflow	Q_{rec}	20 l/min
rotation restrictors included		
Displacement per rotation	V	788 cm ³
relief valves not included		

